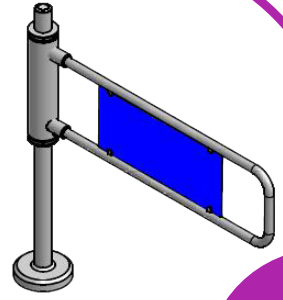
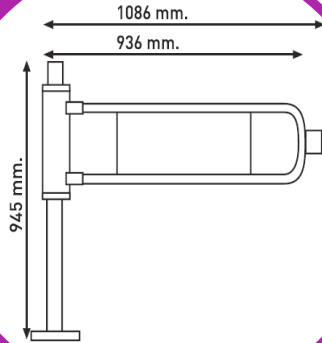


VIP TURNSTILE

T 80 Motorized VIP Turnstile



TURNSTILE



Specifications

- * Nickel plating body and door
- * Manual opening and automatic closing
- * One-way control
- * Sign on plexi door plate according to field of use (Handicapped/ stop sign etc.)
- * Stylish design
- * 10 kg

NICKEL BODY , ELEGANT DESIGN , EASY TO USE, MARKET TURNSTILE, ONE-WAY CONTROL

T 80 leaf turnstile serves as one-way control for simple-basic solutions . Thanks to simple solution generally uses in markets for entrance and exit or any interior areas.

Application: T 80 leaf turnstile can be installed in various interior locations , that do not need any controlled entrance and exit like markets, warehouses.

Basic Materials: T 80 is produced nickel plating on the chrome body . Thank's to it's spring system inside it, provides simple one-way control. It provides passage to right side or left side. Side rights can be changed easily from top of the T80 Leaf turnstile. Handicapped and stop signs can be applied on the plexywing.

General Use: T 80 works as one-way controlling. Any Access control reader can not connected to it as it has no mechanism inside it. It opens as pushing by hand in 90° width. After passage it closes itself as springs pushing wing.

MAKIM®

makim.com.tr
makimaccesscontrol.com
makimturnstile.com

Factory

Address: Sincan Organize Sanayi Bölgesi, Erkunt Cad. No: 20
Sincan ANKARA
Tel: +90 (312) 267 56 87 Faks: 0 (312) 267 56 99
satis@makim.com.tr

Branch

Address: Perpa Ticaret Merkezi, B Blok Kat: 7-8 No: 987-989
Şişli İSTANBUL
Tel: +90 (212) 210 29 41 Faks: 0 (212) 210 68 15
sube@makim.com.tr